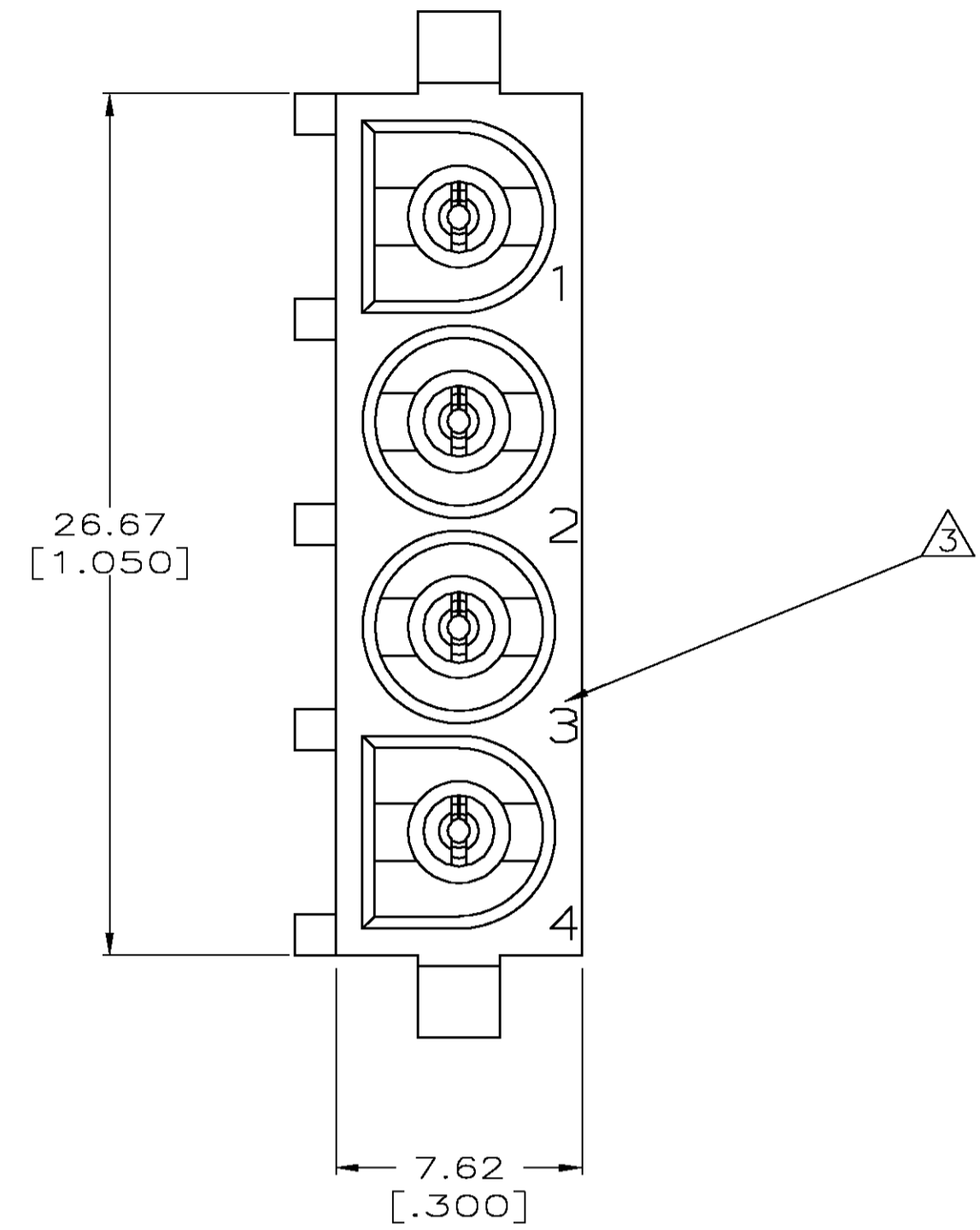
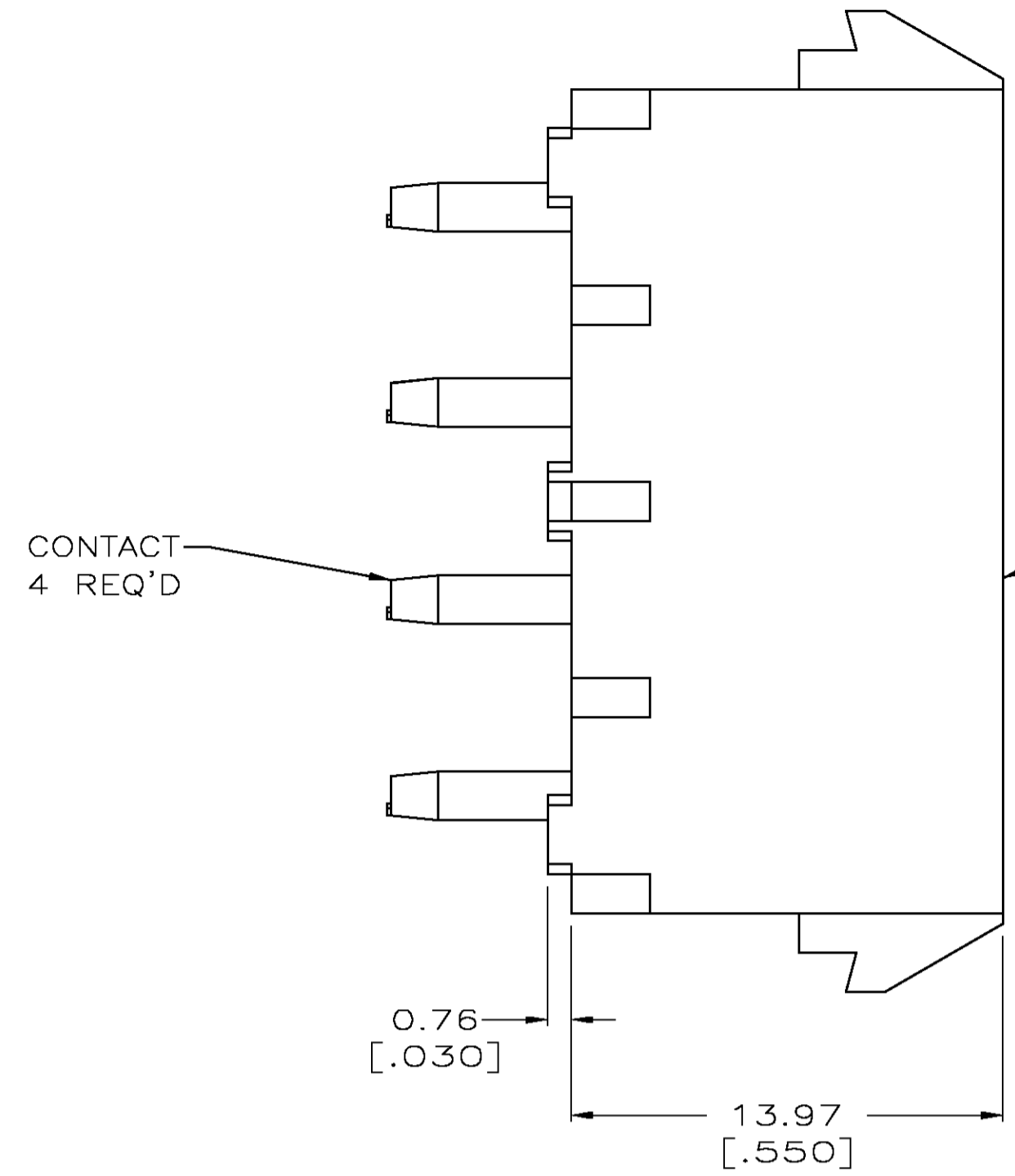
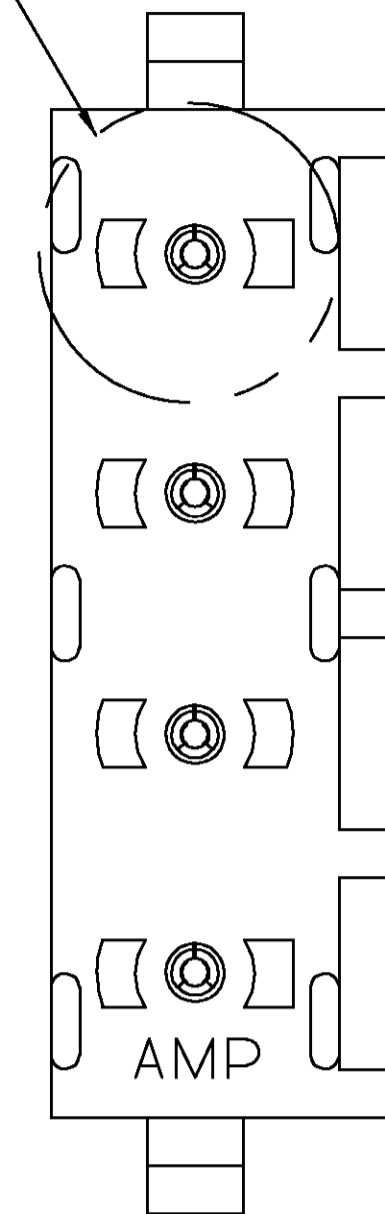
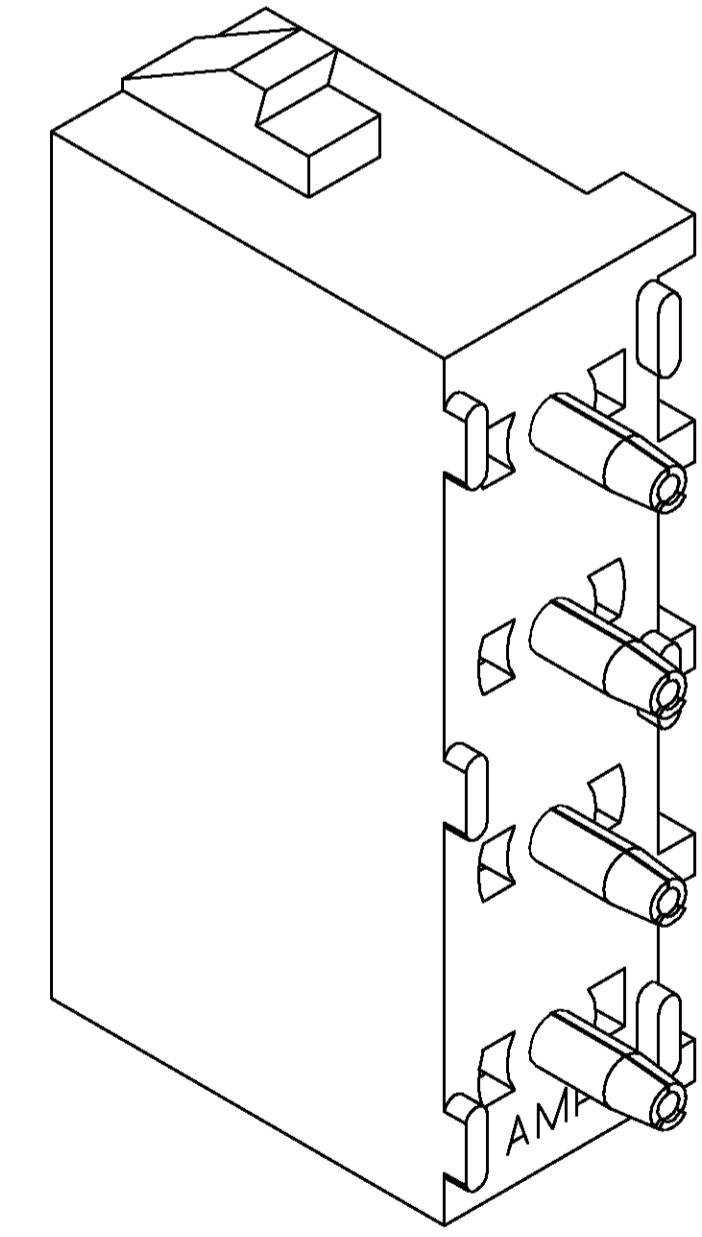
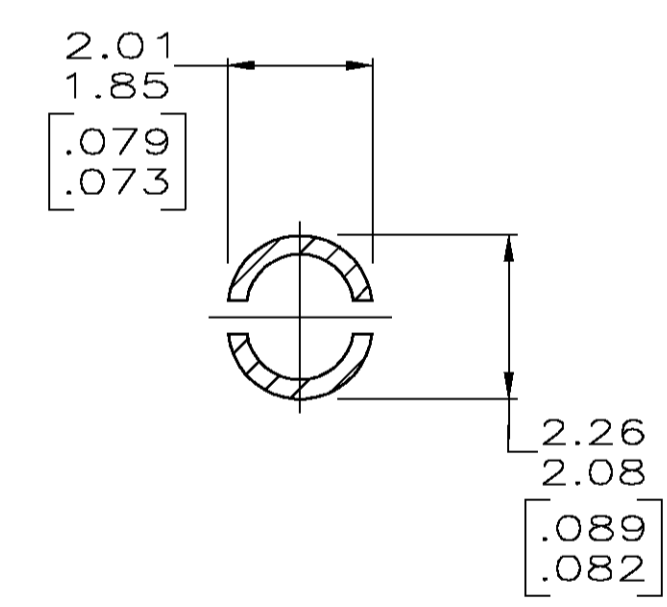
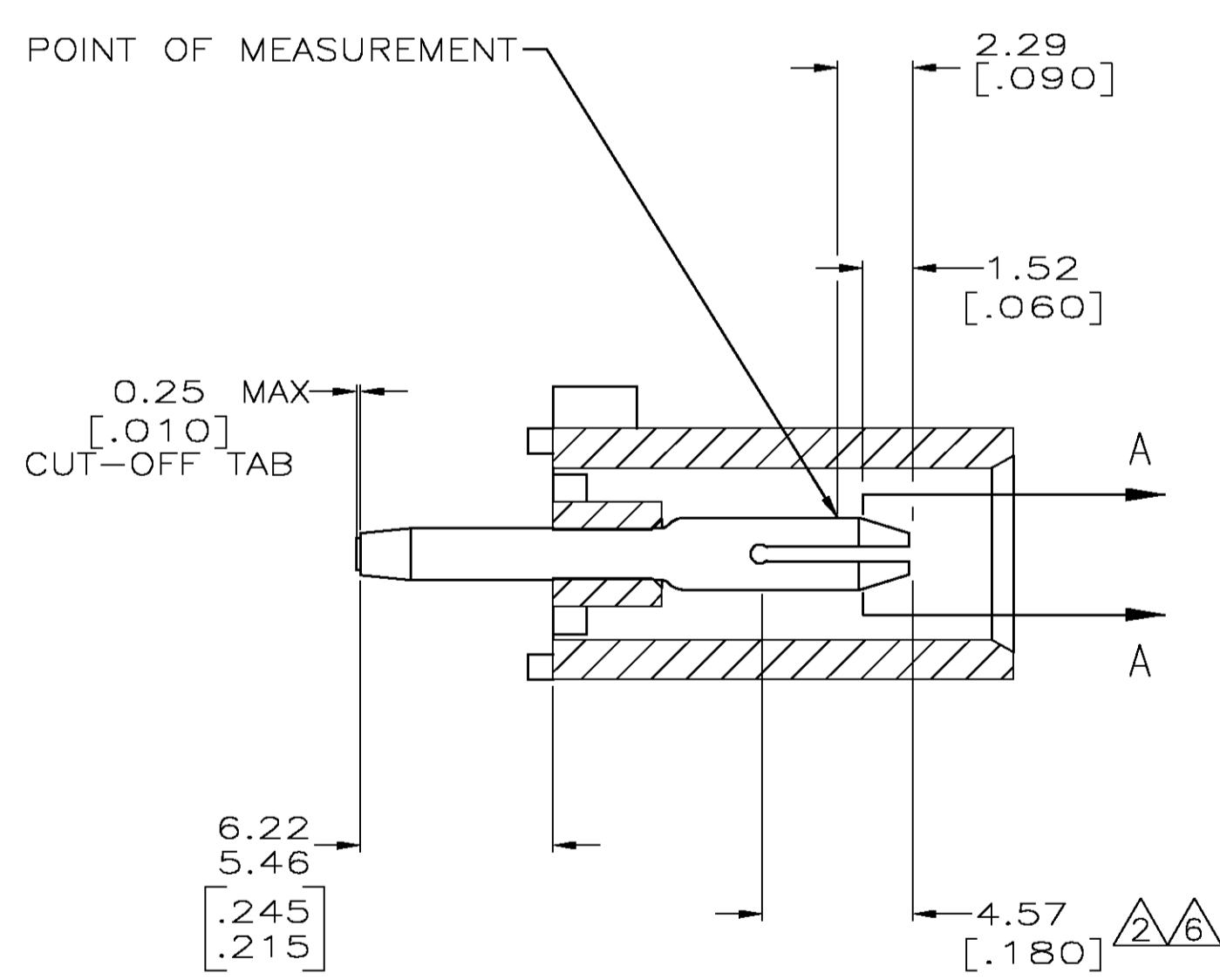


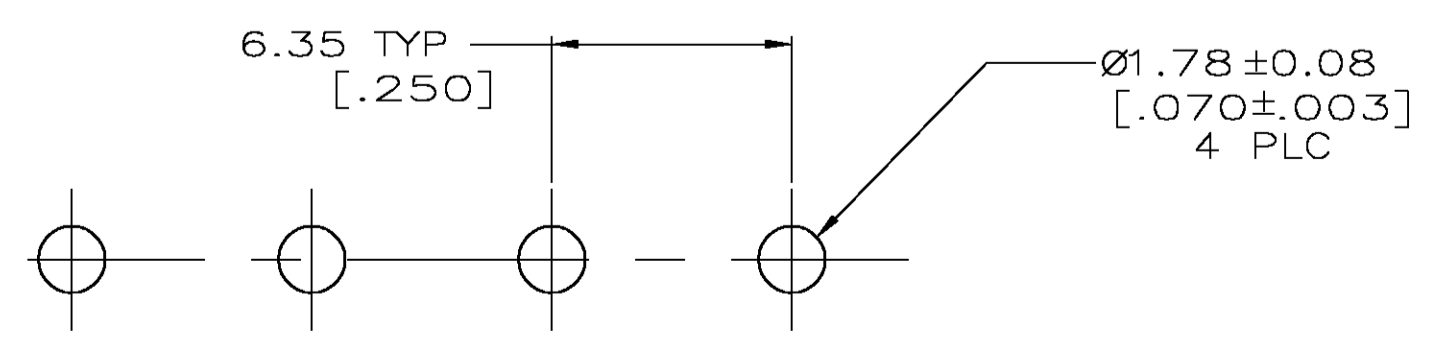
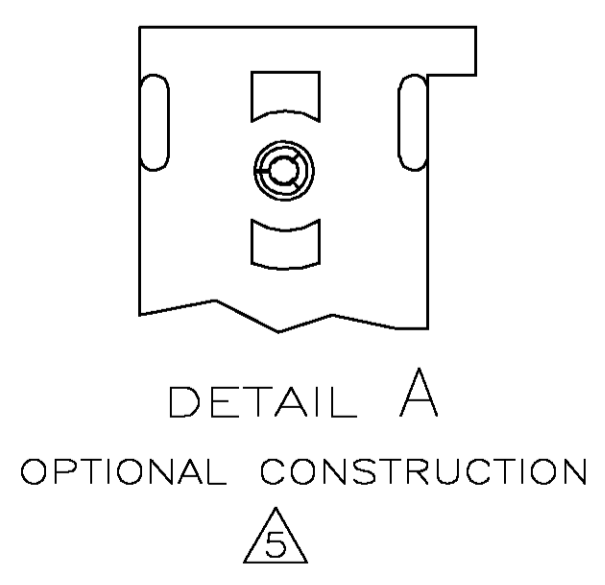
SEE DETAIL A



- PARTS COMPLY TO AMP SOLDERABILITY SPECIFICATION 109-11-3.
- CONTACT IS PLATED OVERALL WITH 0.00127 [.000050] NICKEL, THEN 0.00076 [.000030] GOLD OVER CONTACT LENGTH INDICATED AND MATTE TIN LEAD ON SOLDER TAIL END.
- CIRCUIT IDENTIFICATION CHARACTERS ARE ADJACENT TO THE INDICATED CAVITIES, BUT LOCATION AND ORIENTATION MAY DIFFER FROM PRINT.
- DIMENSIONS IN BRACKETS ARE IN INCHES.
- DRAIN HOLES LOCATED AS SHOWN. OPTIONAL CONSTRUCTION - ALL DRAIN HOLES LOCATED 90° AS SHOWN IN DETAIL A.
- CONTACT IS PLATED OVERALL WITH 0.00127 [.000050] NICKEL, THEN 0.00076 [.000030] GOLD OVER CONTACT LENGTH INDICATED AND MATTE TIN ON SOLDER TAIL END.



3-DIMENSIONAL MODEL NTS



RECOMMENDED MOUNTING HOLE PATTERN FOR 3.18 [.125] THICK P.C. BOARD

PHOSPHOR BRONZE, GOLD	NYLON, UL94-V-2, NATURAL	350584-4
PHOSPHOR BRONZE, GOLD	NYLON, UL94-V-2, NATURAL	350584-2
PHOSPHOR BRONZE, PRE-TIN	NYLON, UL94-V-2, NATURAL	350584-1
PIN CONTACT MATERIAL AND FINISH	HOUSING MATERIAL	PART NUMBER



THIS DRAWING IS A CONTROLLED DOCUMENT.

DIMENSIONS: mm [INCHES]	TOLERANCES UNLESS OTHERWISE SPECIFIED:	DIN 9 L LEWIS 8-25-98	Tyco Electronics Corporation Greensboro, NC 27409
0 PLC ± -	1 PLC ± -	8-25-98	
2 PLC ± 0.13 [.005]	3 PLC ± -	8-25-98	
4 PLC ± -	ANGLES ± - 0° 30'		
MATERIAL SEE TABLE	FINISH SEE TABLE	APVD M. TRULL	NAME
		PRODUCT SPEC	
		APPLICATION SPEC	
		SIZE	CAGE CODE
		WEIGHT	DRAWING NO
			RESTRICTED TO
		A1 00779	350584
		CUSTOMER DRAWING	SCALE 5:1 SHEET 1 OF 1 REV V